

**CODE NUMBER**

3346080

**DESCRIPTION**

Sloan® Deck-Mounted Foam Soap Dispenser, Polished Chrome Finish

**DETAILS**

- Finish: Polished Chrome (CP)
- Power Type: Hardwired
- Height: 4 <sup>3</sup>/<sub>5</sub>" (112mm)
- Width: 4 <sup>3</sup>/<sub>5</sub>" (112mm)
- Depth: 4 <sup>1</sup>/<sub>2</sub>" (114mm)
- Maximum Deck Thickness: 1 <sup>7</sup>/<sub>8</sub>" (48mm)
- Sensor Type: IR

**FEATURES**

Sensor Activated, Electronic, Chrome Plated Die Cast Body, Hand Washing Foam Soap Dispenser with the following features:

- Modular One-piece Construction and easily attaches to deck surface
- Low Soap Level Indicator
- One tool service
- All electronics sealed
- Double infrared sensors with automatic setting feature
- Soap sold separately

**ELECTRICAL SPECIFICATIONS**

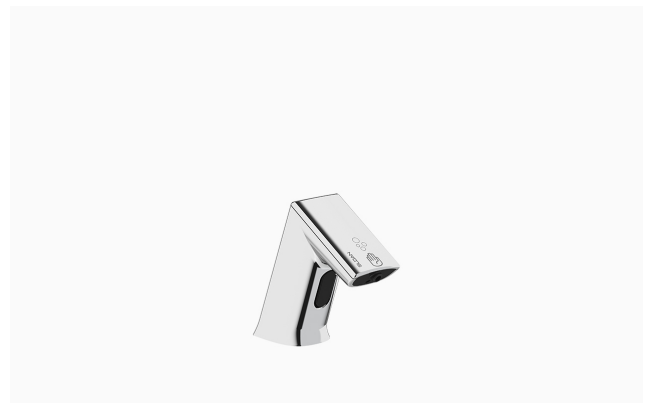
- AC Power Plug-In Only: Yes
- Sensor Range: 4"-5" (102-127mm)
- Self-Adjustment Range: 1"-6" (25-152mm)

**SOAP REFILLS**

- SJS-1751 (1000 ml/mL)
- SJS-1751-3 (1000 ml/mL)
- SJS-1751-4 (1000 ml/mL)

**VIDEOS**

- ▶ PVD Special Finishes

**COMPLIANCES & CERTIFICATIONS**

(ADA Compliant, WELL Building Standard)

**RECOMMENDED SPECIFICATION**

Sloan Optima Foam Soap Dispenser model number ESD-400. Chrome plated finish.

**DOWNLOADS**

- [ESD-400 Installation Instructions](#)
- [ESD-400 Maint Guide](#)
- [Additional Downloads](#)

**NOTES**

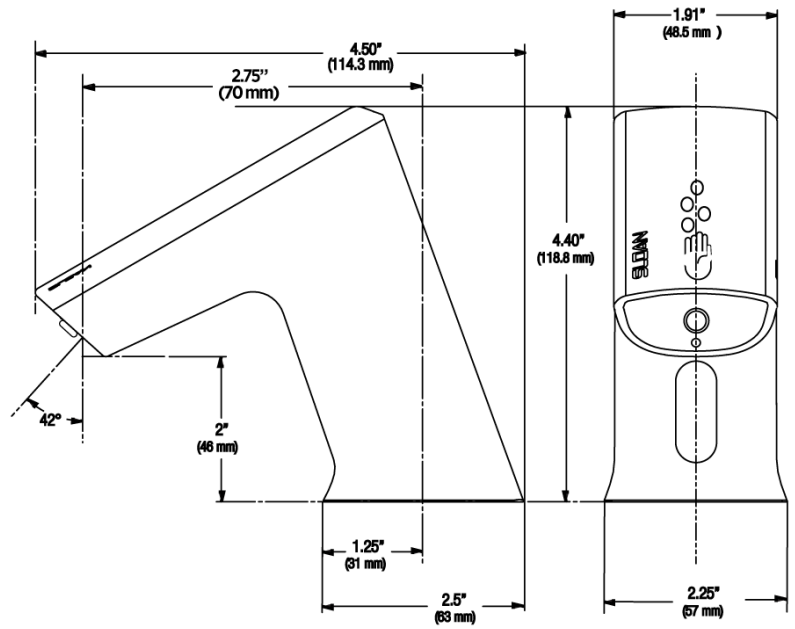
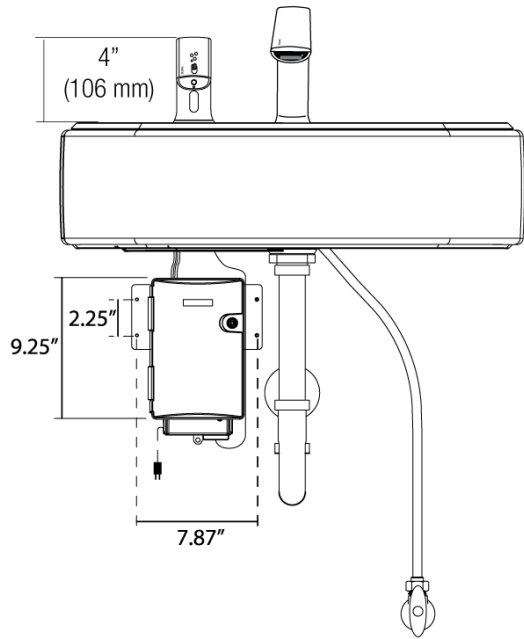
All information contained within this document subject to change without notice.

**WARRANTY**

[View Warranty Information](#)

**ROUGH-IN**

NOTE: Faucet shown  
as reference



Sloan 10500 Seymour Ave, Franklin Park, IL 60131  
Phone: 800.982.5839 • Fax: 800.447.8329 • [sloan.com](http://sloan.com)