

CODE NUMBER

3309049

DESCRIPTION

Polished Chrome Finish, Fixture Connection Top Spud, Single Flush, Exposed Manual Water Closet Flushometer.

DETAILS

- Finish: Polished Chrome (CP)
- Valve Body Material: Semi-red Brass
- Fixture Type: Water Closet
- Fixture Connection: Top Spud

FEATURES

- Solid One-piece Body Construction
- Counter Balanced Pivot Assembly
- Solid Brass Spray Arm
- High Back Pressure Vacuum Breaker with One-piece Bottom Hex Coupling Nut
- Wall Support, Spud Coupling and Flange for 1 1/2" Top Spud
- Vacuum Breaker to be molded from PERMEX™ rubber compound for Chloramine resistance
- Diverter Assembly ONLY. Does NOT include Flushometer
- Includes 1" I.P.S. Elbow "R" variation (to raise existing water supply rough-in) and Pipe Support

**COMPLIANCES & CERTIFICATIONS**

(ADA Compliant, BAA Compliant, BABAA Compliant)

DOWNLOADS

- [Slimline Royal/Regal XL Exposed Installation Instructions](#)
- [Slimline Bedpan Washer Repair and Maintenance Guide](#)
- [Additional Downloads](#)

NOTES

All information contained within this document subject to change without notice.

Looking for other variations of the DV-100 product? [View the general spec sheet with all options.](#)

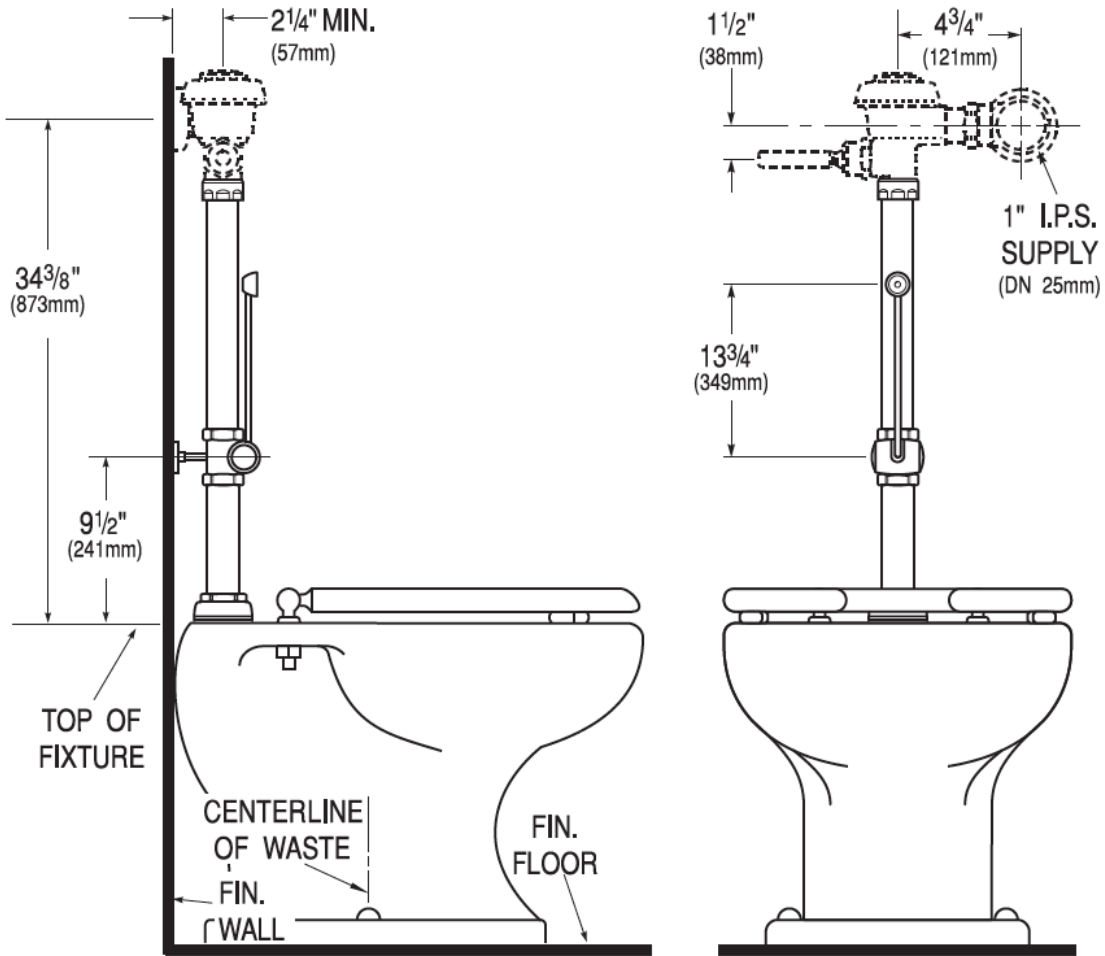
WARRANTY

[View Warranty Information](#)

Sloan 10500 Seymour Ave, Franklin Park, IL 60131

Phone: 800.982.5839 • Fax: 800.447.8329 • sloan.com

ROUGH-IN



Sloan 10500 Seymour Ave, Franklin Park, IL 60131
 Phone: 800.982.5839 • Fax: 800.447.8329 • sloan.com