

CODE NUMBER

10061001

DESCRIPTION

SU-1009 Urinal and ROYAL 186 Flushometer.

COMPONENTS

- Flushometer: Code 3012636
- Urinal: Code 1101009

DETAILS

- Flush Volume: 1.0 gpf (3.8 Lpf)
- Nominal Dimensions: 14 ¼" x 17 ¼" x 25 ½" (362 x 438 x 648mm)

FLUSHOMETER FEATURES

- PERMEX® Synthetic Rubber Diaphragm with Dual Filtered Fixed Bypass
- Sweat Solder Adapter with Cover Tube & Cast Wall Flange with Set Screw
- Non-Hold-Open Handle, Fixed Metering Bypass and No External Volume Adjustment to Ensure Water Conservation
- Diaphragm, Handle Packing and Vacuum Breaker to be molded from PERMEX® Rubber Compound for Chloramine Resistance
- ADA Compliant Metal Oscillating Non-Hold-Open Handle
- ¾" I.P.S. Screwdriver Bak-Chek® Angle Stop w/ Free Spinning Vandal Resistant Stop Cap

FIXTURE FEATURES

- White Vitreous China
- Washdown flushing action
- Integral flushing rim
- ¾" I.P.S. top spud inlet
- 2" NPT outlet flange
- Vandal resistant strainer assembly included
- All mounting hardware included
- 100% factory flush tested



COMPLIANCES & CERTIFICATIONS



(ADA Compliant, BAA Compliant, cUPC Certified, EPD, HPD, WELL Building Standard)

DOWNLOADS

- [Standard Spud Urinal Installation Instructions](#)
- [Royal Exposed Installation Instructions](#)
- [Sloan Diaphragm Chart \(SP\) Repair and Maintenance Guide](#)
- [SS/ST/SU/WETS/WEUS Fixtures Repair and Maintenance Guide](#)
- [Additional Downloads](#)

NOTES

All information contained within this document subject to change without notice.

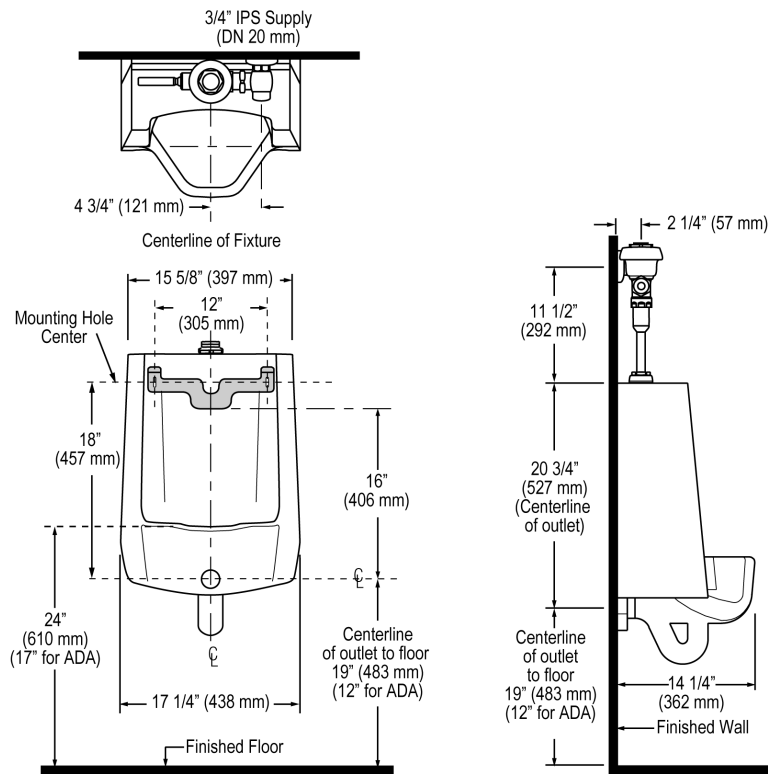
WARRANTY

[View Warranty Information](#)

Sloan 10500 Seymour Ave, Franklin Park, IL 60131

Phone: 800.982.5839 • Fax: 800.447.8329 • sloan.com

ROUGH-IN



Sloan 10500 Seymour Ave, Franklin Park, IL 60131

Phone: 800.982.5839 • Fax: 800.447.8329 • sloan.com