

**CODE NUMBER**

0325134

**DESCRIPTION**

Polished Chrome Finish, Fixture Connection Top Spud, Single Flush, Electrical Override, Battery, Infrared, Exposed Sensor Urinal/Water Closet Retrofit Flushometer.

**DETAILS**

- Finish: Polished Chrome (CP)
- Power Type: Battery
- Fixture Type: Urinal/Water Closet
- Fixture Connection: Top Spud
- Override: Electrical
- Valve: Coyne Delany (CD)

**FEATURES**

- Indicator Lights - user in view and low battery
- Optional 24 hour sentinel flush
- For †Delany™ valves
- †The brands and/or products names referenced herein may be subject to trademark rights of their respective owners. Use of the brands and names is for identification purposes only and does not imply affiliation with or endorsement by Sloan.

**COMPLIANCES & CERTIFICATIONS**

(ADA Compliant, BAA Compliant, BABAA Compliant, BREEAM Water Credit, Green Globes Water Credit)

**RECOMMENDED SPECIFICATION**

Added for C & D Flushboy Valves

**ELECTRICAL SPECIFICATIONS**

- Control Circuit: 6 VDC Input/24 Hour Sentinel Flush/Solid State
- Sensor Range: 22"-42" (559-1,067mm)

**VALVE OPERATING PRESSURE (FLOWING)**

15-80 PSI (103-552 kPa). Specific fixtures may require greater minimum flowing pressure - consult manufacturer requirements.

**DOWNLOADS**

- [Side Mount Operator Unit Installation Instructions](#)
- [Optima SMO Installation Instructions](#)
- [EBV-89A Side Mount Repair and Maintenance Guide](#)
- [Additional Downloads](#)

**NOTES**

All information contained within this document subject to change without notice.

Looking for other variations of the EBV89A product? [View the general spec sheet with all options.](#)

[Find a compatible urinal](#) for this flushometer.

[Find a compatible water closet](#) for this flushometer.

**WARRANTY**

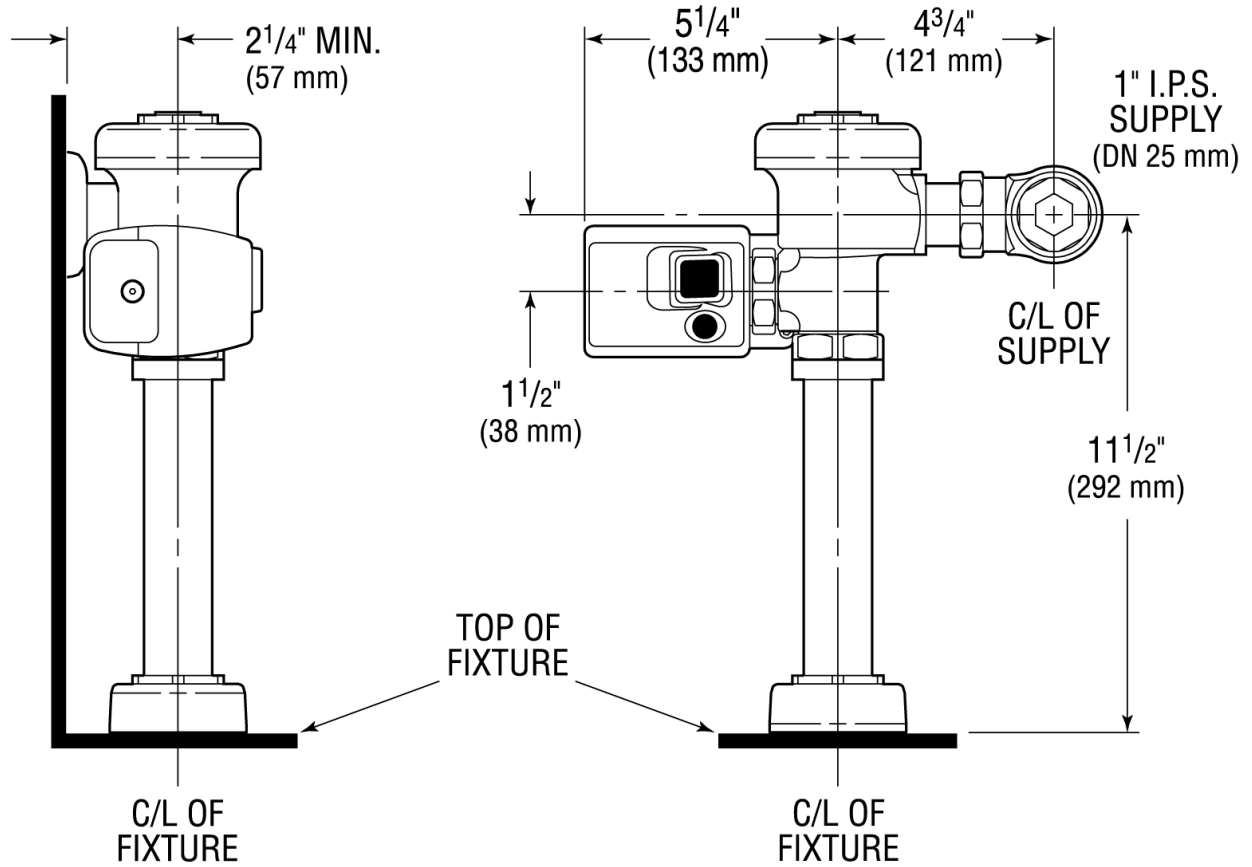
[View Warranty Information](#)

Sloan 10500 Seymour Ave, Franklin Park, IL 60131

Phone: 800.982.5839 • Fax: 800.447.8329 • [sloan.com](http://sloan.com)

**ROUGH-IN**

Side Mount Operator unit shown on an existing Sloan Regal Model 110/111 Closet Flushometer



Sloan 10500 Seymour Ave, Franklin Park, IL 60131  
Phone: 800.982.5839 • Fax: 800.447.8329 • [sloan.com](http://sloan.com)