

CODE NUMBER

0325105

DESCRIPTION

Polished Chrome Finish, Fixture Connection Top Spud, Single Flush, Electrical Override, Battery, Infrared, Exposed Sensor Urinal/Water Closet Retrofit Flushometer.

DETAILS

- Finish: Polished Chrome (CP)
- Power Type: Battery
- Fixture Type: Urinal/Water Closet
- Fixture Connection: Top Spud
- Override: Electrical

FEATURES

- Indicator Lights - user in view and low battery
- Optional 24 hour sentinel flush

**COMPLIANCES & CERTIFICATIONS**

(ADA Compliant, BAA Compliant, BABAA Compliant, BREEAM Water Credit, Green Globes Water Credit)

ELECTRICAL SPECIFICATIONS

- Control Circuit: Solid State/6 VDC Input/24 Hour Sentinel Flush
- Sensor Range: 22" - 42" (559 - 1,067mm)

VALVE OPERATING PRESSURE (FLOWING)

15-80 PSI (103-552 kPa). Specific fixtures may require greater minimum flowing pressure - consult manufacturer requirements.

DOWNLOADS

- [Side Mount Operator Unit Installation Instructions](#)
- [Optima SMO Installation Instructions](#)
- [EBV-89A Side Mount Repair and Maintenance Guide](#)
- [Additional Downloads](#)

NOTES

All information contained within this document subject to change without notice.

Looking for other variations of the EBV89A product? [View the general spec sheet with all options.](#)

[Find a compatible urinal](#) for this flushometer.

[Find a compatible water closet](#) for this flushometer.

WARRANTY

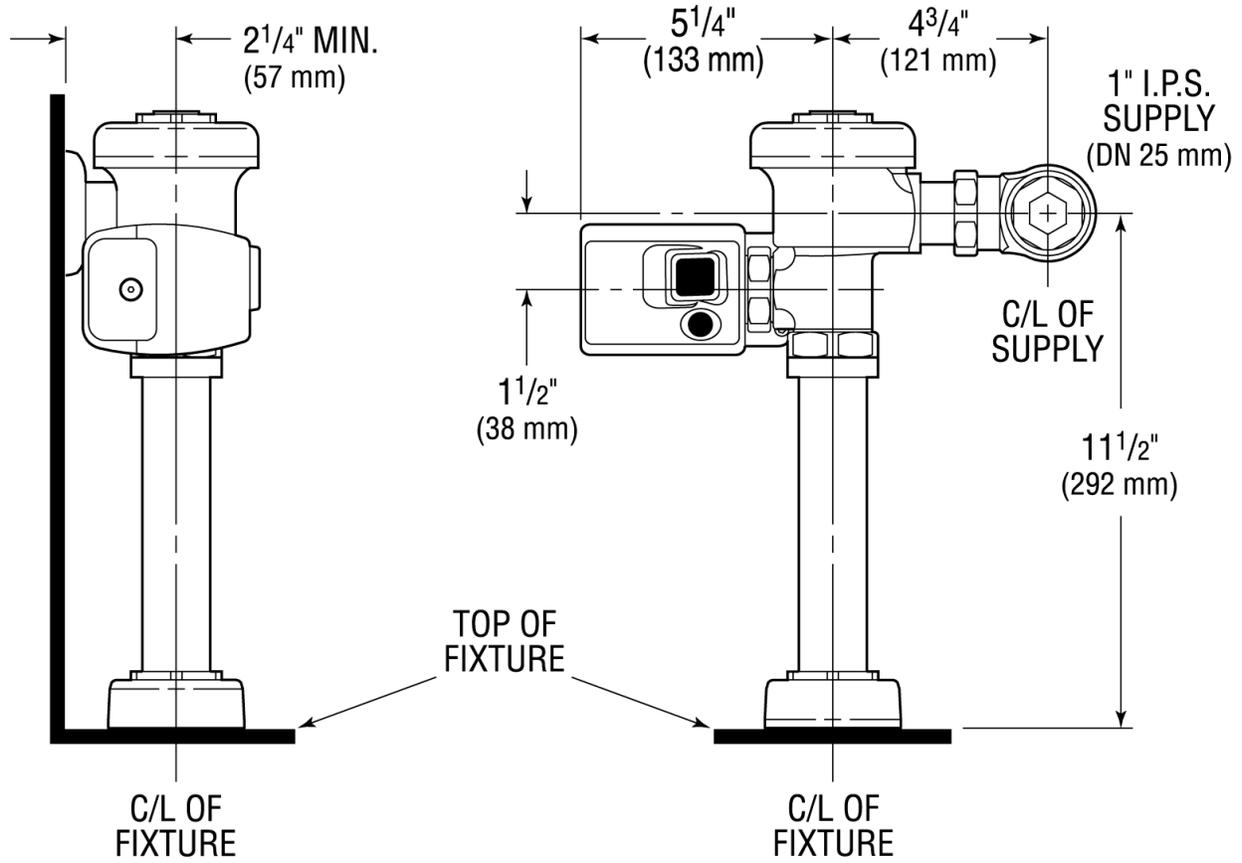
[View Warranty Information](#)

Sloan 10500 Seymour Ave, Franklin Park, IL 60131

Phone: 800.982.5839 • Fax: 800.447.8329 • sloan.com

ROUGH-IN

Side Mount Operator unit shown on an existing Sloan Regal
Model 110/111 Closet Flushometer



Sloan 10500 Seymour Ave, Franklin Park, IL 60131
Phone: 800.982.5839 • Fax: 800.447.8329 • sloan.com