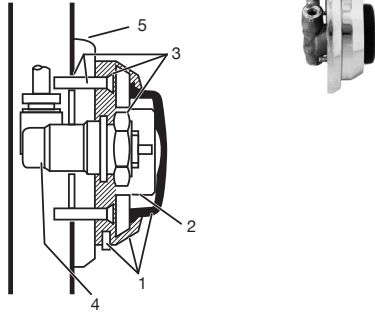


Series 900® Flushometer

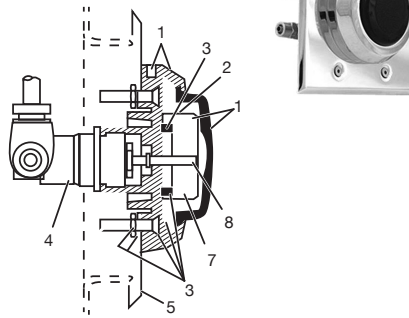
HY-49-A (0318049) METAL PARTITION PUSH BUTTON



Item No.	Code No.	Part No.	Description
1.	0318002	HY-1-A	Push Button Kit – includes Push Button, Flange, Spring & Set Screws
2.	0318004PK	HY-3	Spring
3.	0318003	HY-2-A	Mounting Flange Kit – includes Mounting Flange, Mounting Nut, Screws (2) & Tinnerman Nuts (2)
4.	0318123	HY-71-A	Actuator Assembly
5.	0318123	HY-46-A	Wall Flange

NOTE: Includes HY-32-A cartridge (shown at right)
NOTE: Maximum distance from button to valve is 20' (longer tubing required)

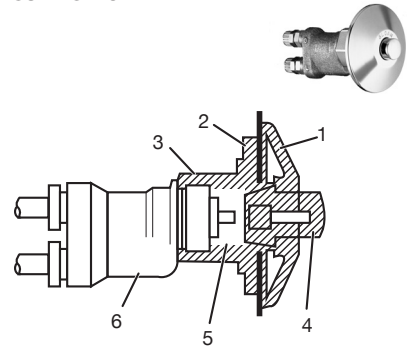
HY-72-A (0318072) SIDE WALL PUSH BUTTON



Item No.	Code No.	Part No.	Description
1.	3318007	HY-1000-A	Push Button Kit – includes Push Button, Flange, Spring & Set Screw
2.	0318004PK	HY-3	Spring
3.	3318008	HY-1001-A	Mounting Flange Kit – includes Mounting Flange, Mounting Nut, Screws (2), Nuts (2) & Washers (2)
4.	0318123	HY-71-A	Actuator Assembly
5.	0318041	HY-40	Plate
6.	0318073PK	HY-73	Extension Adapter
7.	0318074PK	HY-74	Extension Stem

NOTE: Includes HY-32-A cartridge (shown at right)
NOTE: Maximum distance from button to valve is 20' (longer tubing required)
NOTE: HY-30 84" longer tubing (0318094)

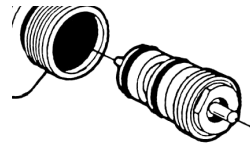
HY-108-A (0318119) PENAL WARE METAL PUSH BUTTON



Item No.	Code No.	Part No.	Description
1.	0318116PK	HY-91	Flange
2.	0318111PK	HY-94	Mounting Washer
3.	0318112PK	HY-93	Mounting Nut
4.	0318115	HY-86-A	Push Button Assembly
5.	0305134PK	EL-109	Spring
6.	0318078	HY-50-A	Actuator Assembly

NOTE: Includes HY-32-A cartridge (shown below)
NOTE: Maximum distance from button to valve is 20' (longer tubing required)
NOTE: HY-30 84" longer tubing (0318094)

HY-32-A ACTUATOR CARTRIDGE ASSEMBLY



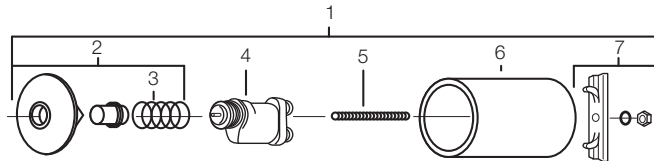
For use with HY-50-A and HY-71-A actuator assemblies



NOTE: Prior to 2025, the HY-32-A (0318031) Actuator Cartridge was made of brass. Beginning in 2025, the HY-32-A is made of gray polymer.

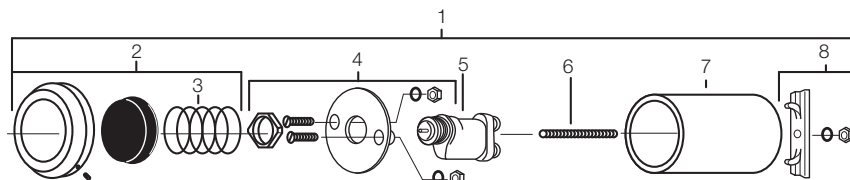
HY-100-A (0318117) FIXTURE WALL METAL PUSH BUTTON

Item No.	Code No.	Part No.	Description
1.	0318117	HY-100-A	Fixture Wall Metal Button Assembly
2.	3318006	HY-111-A	Metal Button Kit
3.	0305134PK	EL-109	Spring
4.	0318078	HY-50-A	Actuator Assembly
5.	0318028PK	HY-29	Threaded Rod
6.	0318109PK	HY-105	Spacer
7.	3318009	HY-1002-A	Mounting Strap Kit



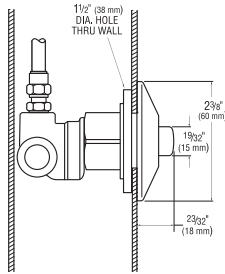
HY-33-A (0318001) FIXTURE WALL PUSH BUTTON

1.	0318001	HY-33-A	Fixture Wall Push Button Assembly
2.	3318007	HY-1000-A	Push Button Kit
3.	0318004PK	HY-3	Spring
4.	3318008	HY-1001-A	Mounting Flange Kit
5.	0318078	HY-50-A	Actuator Assembly
6.	0318028PK	HY-29	Threaded Rod
7.	0318109PK	HY-105	Spacer
8.	3318009	HY-1002-A	Mounting Strap Kit

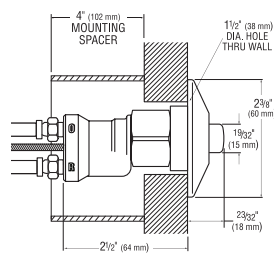


Series 900® Flushometer

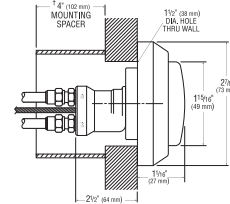
HY-113-A (0318120) METAL PUSH BUTTON PANEL MOUNT (MBPM VARIATION)



HY-100-A (0318117) METAL PUSH BUTTON PANEL MOUNT (MBFW VARIATION)



HY-125-A (0318183) METAL PUSH BUTTON FIXTURE WALL (FW VARIATION)



[†] Use Mounting Spacer only if wall thickness is less than 2" (50 mm).

Item			
No.	Code No.	Part No.	Description
1.	0318115	HY-86-A	Push Button Kit – includes Push Button, Flange, Spring & Set Screw
2.	0305134	EL-109	Spring
3.	0318111	HY-94-A	Mounting Flange Kit – includes Mounting Nut, Screws (2) & Tinnerman Nuts (2)
4.	0318123	HY-91-A	Flange

NOTE: Includes HY-32-A cartridge (0318031)
NOTE: Maximum distance from button to valve is 20' (longer tubing required)
NOTE: HY-30 84" longer tubing (0318094)

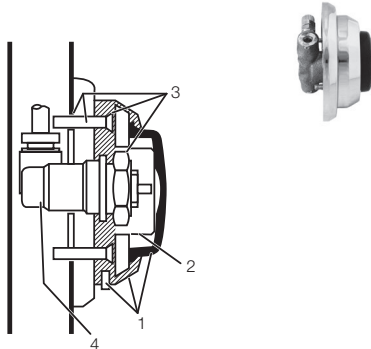
Item			
No.	Code No.	Part No.	Description
1.	0318115	HY-86-A	Push Button Kit – includes Push Button, Flange, Spring & Set Screw
2.	0318109	HY-105	Spacer Mounting Tube
3.	0318125	HY-95-A	Mounting Flange Kit – includes Mounting Flange, Mounting Nut, Screws (2), Nuts (2) & Washers (2)
4.	0318123	HY-4-A	RB Actuator Assembly
5.	0318019	HY-20-A	Inner Bushing
6.	0305173	HY-4	RB Body Hyd Actuator

NOTE: Includes HY-32-A cartridge (0318031)
NOTE: Maximum distance from button to valve is 20' (longer tubing required)
NOTE: HY-30 84" longer tubing (0318094)

Item			
No.	Code No.	Part No.	Description
1.	0318002	HY-1	CP Button Flange
2.	0318111	HY-105	Spacer Mounting Tube
3.	0318003	HY-2	RB Mounting Nut
4.	0318067	HY-123-A	Push Button Assembly
5.	0318078	HY-50-A	Actuator Assembly

NOTE: Includes HY-32-A cartridge (shown below)
NOTE: Maximum distance from button to valve is 20' (longer tubing required)
NOTE: HY-30 84" longer tubing (0318094)

HY-79-A (0318081) METAL PARTITION PUSH BUTTON



Item			
No.	Code No.	Part No.	Description
1.	0318002	HY-1-A	Push Button Kit – includes Push Button, Flange, Spring & Set Screw
2.	0318004	HY-3	Spring
3.	0318003	HY-2-A	Mounting Flange Kit – includes Mounting Flange, Mounting Nut, Screws (2) & Tinnerman Nuts (2)
4.	0318123	HY-71-A	Actuator Assembly

NOTE: Includes HY-32-A cartridge (shown at right)
NOTE: Maximum distance from button to valve is 20' (longer tubing required)

