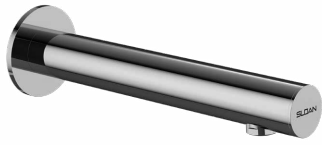
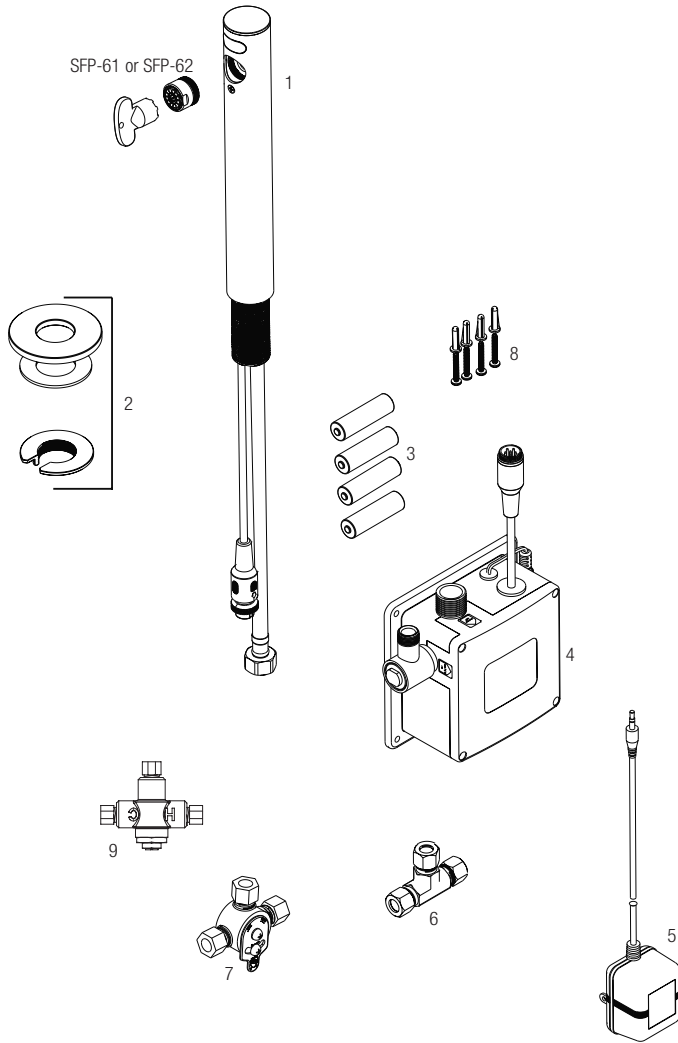


SF-2800/SF-2850 Faucets



SF-2800 Wall Mount, Hardwired
SF-2850 Wall Mount, Battery Powered



PARTS LIST—SF-2800/SF-2850

Item			
Item No.	Code No.	Part No.	Description
1.	33621021	SFP-59	Faucet Assembly (Models SF-2800/SF-2850)
2.	33241001	SFP-60	Spout Mounting Hardware Kit w/Trim Plate
3.	_____	_____	Batteries-AA size (4)
4.	0362040	SFP-40-A	Control Module with Adjustable Button (6 pin connector)
5.	0362006	SFP-6	Plug-in Adapter (120VAC/6VDC)
6.	3365461	ETF-617-A	Backcheck Tee
7.	0326007	MIX-60-A	Below Deck Mechanical Mixing Valve
8.	0362005	SFP-5	Control Box Mounting Kit
9.	0326045	MIX-135-A	Below Deck Thermostatic Mixing Valve

SPRAYHEAD OPTIONS

—	33620012	SFP-61	0.35 gpm (1.3 Lpm) Spray Head MLM
—	33620011	SFP-62	0.5 gpm (1.9 Lpm) Spray Head MLM

— in Item No. column = Not shown in illustration

NOTE: Some parts and accessories must be ordered separately * Not shown
 — in Code No. and Part No. column = Not sold separately