

Optima® ELF-10/ESF-20/ESF-30 Faucets Discontinued

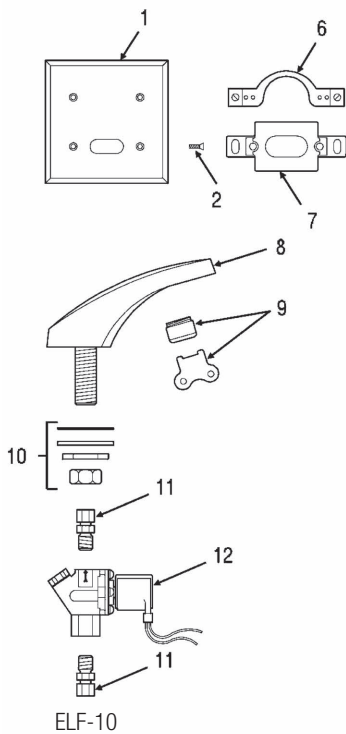


ELF-10

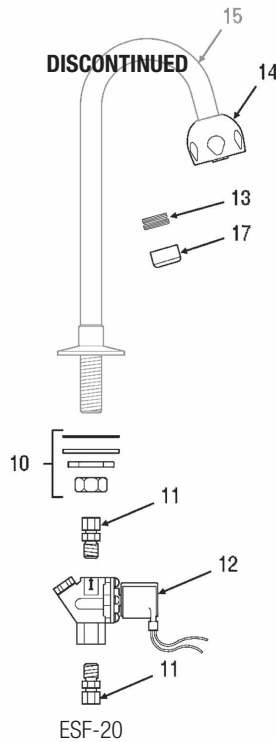


ESF-20

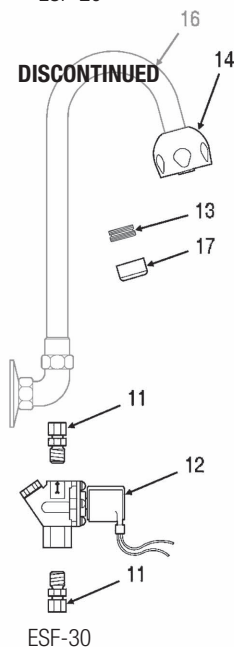
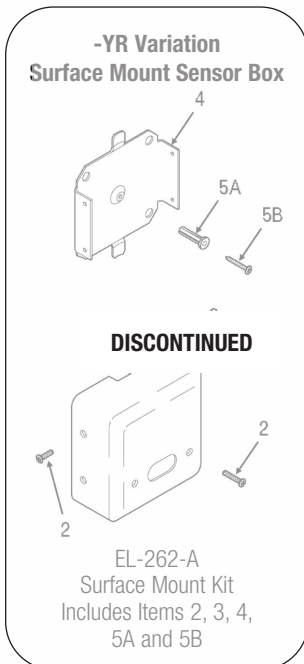
ESF-30



ELF-10



ESF-20



ESF-30

PARTS LIST—ELF-10, ESF-20, AND ESF-30 FAUCETS

Item No.	Code No.	Part No.	Description
1.	0305161	EL-161	Cover Plate for 2-gang junction box (4-1/2" square)
2.	0305152	EL-152	Cover Plate Screws (use 5/64" hex wrench)
3.	0305341	EL-236	Sensor Box (for -YR Variation) – DISCONTINUED
4.	0305345	EL-242	Wall Mounting Bracket Plate (for -YR Variation) – DISCONTINUED
5A.	0311048	K-57	Anchor (for -YR Variation) – DISCONTINUED
5B.	0311041	K-44	Slotted Wood Screw (for -YR Variation) – DISCONTINUED
6.	0305323	EL-168-A	Yoke Assembly includes Yoke, two (2) Screws, and two (2) Washers
7.	3305622	EL-1500-LL	OPTIMA Lavatory Sensor
	3305623	EL-1500-LL-T	OPTIMA Lavatory Sensor with 30-second timeout
8.	0365162	ETF-595-A	Faucet Spout Assembly (ELF-10)
9.	3365092	ETF-1023-A	0.5 gpm (1.9 Lpm) Spray Head with Key (male thread)
	3365093	ETF-1024-A	2.2 gpm (8.3 Lpm) Aerator Spray Head with Key (male thread)
	3365162	ETF-1029-A	2.2 gpm (8.3 Lpm) Laminar Flow Spray Head with Key (male thread)
	0305927	ETF-435	Replacement Key Only
10.	0305768	EL-310-A	Mounting Hardware Kit (ELF-10 and ESF-20 only) includes Washer, Locking Nut, Coupling Nut, Rubber Washer, and Washer Cone
11.	0305459	ETF-61	3/8" Male Compression Fitting x 3/8" NPT
12.	3305527	ETF-1004-A	24 VAC Solenoid Valve Assembly includes male Compression Fitting, Input Power Cable, Solenoid Valve with stainless steel seat, and quick-disconnect Terminal Receptacle
—	3305577	ETF-1009-A	Solenoid Valve Repair Kit includes Replacement Filter
	3375003	MCR-1003-A	Diaphragm only
13.	0305784	ETF-178	Aerator Adapter (ESF-20 and ESF-30 only; not required for Shower Spray Head)
14.	0328134	AC-55-A	Shower Spray Head Assembly, 2.2 gpm (8.3 Lpm)
15.	0328198	AC-92-A	Deck-Mounted Faucet with Gooseneck Spout (ESF-20) – DISCONTINUED
—	0305797	AC-93-A	Deck-Mounted Faucet with Surgical Bend Gooseneck Spout (ESF-20)
16.	0328140	AC-97-A	Back-Mounted Faucet with Gooseneck Spout (ESF-30) – DISCONTINUED
—	0305798	AC-94-A	Back-Mounted Faucet with Surgical Bend Gooseneck Spout (ESF-30) – DISCONTINUED
17.	3365090	ETF-621-A	2.2 gpm (8.3 Lpm) Aerator Spray Head with Key (female thread)
—	0305368	EL-262-A	Surface Mount Kit includes Items 2, 3, 4, 5A, and 5B (for -YR Variation) – DISCONTINUED

Sloan faucets are available in various finishes – contact factory for part numbers.

— = Not shown in illustration

DISCONTINUED FAUCET

Optima® ELF-10/ESF-20/ESF-30 Faucets Discontinued

TROUBLESHOOTING GUIDE

1. Faucet DOES NOT function (RED indicator light does not illuminate when user steps in front of sensor).

- A. No power is supplied to sensor. Ensure that power is turned "ON". Check transformer, leads, and connections. Repair or replace as necessary.
- B. Sensor is not operating. Replace EL-1500-LL or EL-1500-LL-T sensor.

2. Faucet DOES NOT function (RED indicator light appears when user steps in front of sensor BUT solenoid does NOT "CLICK").

- A. Debris is clogging solenoid. Disassemble, clean, flush, and reassemble.
- B. Solenoid electrical wiring is not correctly connected. Check solenoid connections.
- C. Solenoid is not working. Replace ETF-1004-A solenoid.

3. No water is delivered when faucet is activated.

INDICATOR: Solenoid "CLICK" can be heard:

- A. Water supply stop(s) may be partially closed. Open stop(s).
- B. Solenoid filter is clogged. Shut off water supply. Remove, clean, and reinstall solenoid filter. Replace ETF-1009-A solenoid filter if necessary.

4. Very low flow or slow dribble

- A. Water supply stop(s) may be partially closed. Open stop(s).
- B. Solenoid filter is clogged. Shut off water supply. Remove, clean, and reinstall solenoid filter. Replace ETF-1009-A solenoid filter if necessary.
- C. Aerator or spray head is clogged. Remove, clean, and reinstall.
- D. Debris is clogging solenoid. Disassemble, clean, flush, and reassemble.

5. Faucet DOES NOT stop delivering water or continues to drip after user is no longer detected (power is "ON" and RED indicator light is flashing).

- A. Non-permanent target is still detected in range of sensor after user

exits range. Remove non-permanent target. If the target is a new permanent target (i.e., a new wall or partition), turn 24 VAC power supply "OFF" for fifteen (15) seconds. Turn power supply "ON". Allow the sensor to complete the start-up procedure.

- B. Sensor has failed. Replace EL-1500-LL or EL-1500-LL-T sensor.

6. Faucet DOES NOT stop delivering water or continues to drip after user is no longer detected (even after power supply has been disconnected).

- A. Solenoid Valve is installed backward. Disconnect solenoid. Reconnect solenoid so the water flow is directed toward the faucet.
- B. The solenoid is dirty and is not closing properly. Remove solenoid operator, clean, and reassemble.

**When assistance is required, please contact
Sloan Technical Support at: 1-888-SLOAN-14 (1-888-756-2614).**

DISCONTINUED FAUCET