

TruFlush Flushometer

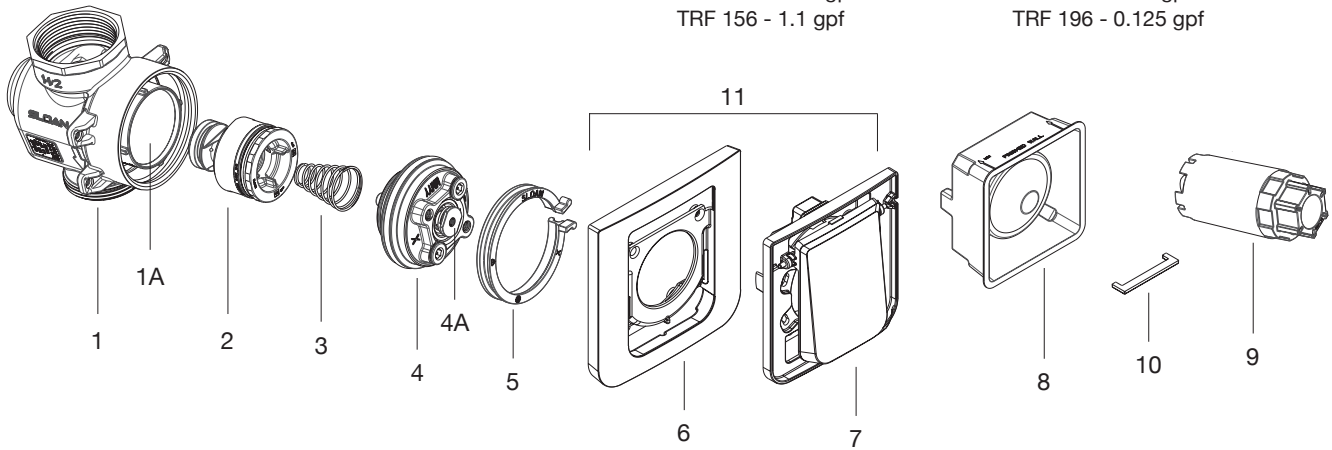
Not available in USA or Canada

Manual Closet Flushometers

- TRF 156 - 1.6 gpf
- TRF 156 - 1.28 gpf
- TRF 156 - 1.1 gpf

Manual Urinal Flushometers

- TRF 196 - 0.5 gpf
- TRF 196 - 0.25 gpf
- TRF 196 - 0.125 gpf



PARTS LIST			
Item No.	Code No.	Part No.	Description
1.	—	—	Valve Assembly
1A.	0340081	GBL-63-A	Shut Off Sleeve (with O-Ring)
2.	See table to the right		Piston Assembly with Spring
3.	—	—	Conical Spring*
4.	See table on next page		Activation Assembly
4A.	3340018	GBL-1018-A	Plunger Assembly
5.	3340011	GBL-1011-A	Safety Collar
6.	—	—	TRF Manual Finished Wall Plate, CP
7.	—	—	TRF Manual Wall Bracket with Button Assembly
8.	33400034	GBL-1061-A	Replacement Kit, Mud Guard Manual (4 Pack)
9.	3340012	GBL-1012-A	Activation Assembly Tool
10.	0340094	GBL-75	Depth Guide Tool
11.	—	GBL-200-A	TRF Manual Wall Bracket and Button Assembly Includes items 6 & 7.

* Included with Piston Assembly. † Consult factory for finish options.

ITEM NO. 2 - MANUAL PISTON ASSEMBLY SELECTION GUIDE			
Code No.	Part No.	Description	Piston Color*
3340024	GBL-1024-A	1.6 gpf/6.0 Lpf Closet Piston Assembly (Washdown)	Orange
3340005	GBL-1005-A	1.6 gpf/6.0 Lpf Closet Piston Assembly	Green
3340006	GBL-1006-A	1.28 gpf/4.8 Lpf Closet Piston Assembly	Purple/Black
33400064	GBL-1089-A	1.1 gpf/4.2 Lpf Closet Piston Assembly	Grey/Black
3340007	GBL-1007-A	0.5 gpf/1.9 Lpf Urinal Piston Assembly	Red
3340008	GBL-1008-A	0.25 gpf/1.0 Lpf Urinal Piston Assembly	Burgundy
3340009	GBL-1009-A	0.125 gpf/0.48 Lpf Urinal Piston Assembly	Pink

* Colors may differ. Consult factory to confirm you have the correct Piston Assembly.



TRUFLUSH MANUAL PISTON
SEE CHART BELOW FOR MORE

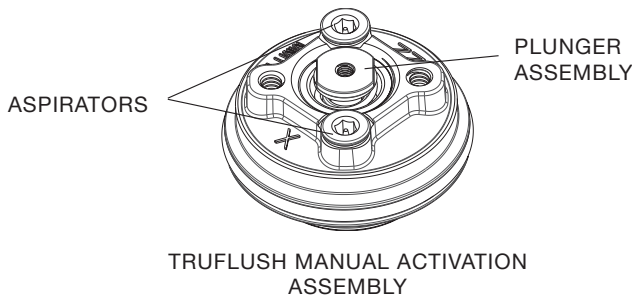
ITEM NO. 2 - MANUAL PISTON IDENTIFICATION CHART

Flush Volume	1.6 gpf WD (India) Water Closet	1.6 gpf Water Closet	1.28 gpf Water Closet	1.1 gpf Water Closet	0.5 gpf Urinal	0.25 gpf Urinal	0.125 gpf Urinal
Piston Body	Orange with Screen	Green with Screen	Purple with Screen	Grey with Screen	Red with Screen	Burgundy with Screen	Pink with Screen
Flow Control	Orange	Green	Black Cage	Black Cage	Red	Burgundy	Pink
Part Number	GBL-1024-A	GBL-1005-A	GBL-1006-A	GBL-1089-A	GBL-1007-A	GBL-1008-A	GBL-1009-A
Code Number	3340024	3340005	3340006	33400064	3340007	3340008	3340009

ITEM NO. 4 - MANUAL ACTIVATION ASSEMBLY SELECTION GUIDE			
Code No.	Part No.	Description	Aspirator Retainer Color*
3340026	GBL-1026-A	1.6 gpf/6.0 Lpf Closet Activation Assembly (Washdown)	Orange
3340000	GBL-1000-A	1.6 gpf/6.0 Lpf Closet Activation Assembly	Green
3340001	GBL-1001-A	1.28 gpf/4.8 Lpf Closet Activation Assembly	Purple
3340063	GBL-1093-A	1.1 gpf/4.2 Lpf Closet Activation Assembly	Grey/Black
3340002	GBL-1002-A	0.5 gpf/1.9 Lpf Urinal Activation Assembly	Red
3340003	GBL-1003-A	0.25 gpf/1.0 Lpf Urinal Activation Assembly	Burgundy
3340004	GBL-1004-A	0.125 gpf/0.48 Lpf Urinal Activation Assembly	Pink

ASPIRATOR SELECTION GUIDE			
Code No.	Part No.	Description	Aspirator Retainer Color*
3340032	GBL-1032-A	1.6 gpf/6.0 Lpf Closet Aspirator Assembly (Washdown)	Orange
3340028	GBL-1028-A	1.6 gpf/6.0 Lpf Closet Aspirator Assembly	Green
3340030	GBL-1030-A	1.28 gpf/4.8 Lpf Closet Aspirator Assembly	Purple
3340058	GBL-1095-A	1.1 gpf/4.2 Lpf Closet Aspirator Assembly	Grey
3340031	GBL-1031-A	0.5 gpf/1.9 Lpf Urinal Aspirator Assembly	Red
3340029	GBL-1029-A	0.25 gpf/1.0 Lpf Urinal Aspirator Assembly	Burgundy
3340042	GBL-1033-A	0.125 gpf/0.48 Lpf Urinal Aspirator Assembly	Pink

* Colors may differ. Consult factory to confirm you have the correct Aspirator.



**IMPORTANT NOTE FOR 1.1 GPF
FLUSHOMETERS & REPLACEMENT KITS**

Sloan 1.1 gpf/4.2 Lpf ultra-high efficiency flushometers meets all applicable standards and requirements. However, with low flush volumes it is imperative that they only be used in conjunction with toilet fixtures and drain line systems designed to operate with adequate flow rates and volumes in order to effectively eliminate waste and move it out of the building. It is the responsibility of the user to ensure both of these conditions are met. Not doing so may void your warranty.

Sloan 1.1 gpf diaphragm and piston kits are designed as a replacement part for Sloan 1.1 gpf/4.2 Lpf flushometers only. They are not intended to be used as a means to reduce water consumption in flushometers with higher flush volumes such as 1.28 gpf/4.8 Lpf or 1.6 gpf/6.0 Lpf or higher. Using this kit in any manner other than with a Sloan 1.1 gpf flushometer may void your warranty.

TROUBLESHOOTING GUIDE

1. Flushometer Does Not Function (No Water/Flush).

- A. Ensure water supply to Valve is turned on.
- B. Shut Off Sleeve is in closed position. Turn counter-clockwise to open water flow. **Note:** there is approximately 1/8-turn (45°) of free spinning as the Activation Assembly engages the Shut Off Sleeve between opening and closing the Valve.
- C. Plunger screw is not adjusted properly. Adjust screw using depth guide tool.

2. Volume Of Water Is Not Sufficient To Evacuate The Bowl.

- A. Plunger screw is not adjusted properly (short button engagement of plunger). Adjust screw using depth guide tool.
- B. Insufficient flow pressure. Readjust Activation Assembly by turning counter-clockwise to increase flow pressure.
- C. Water supply pressure is inadequate (low). Increase the water supply pressure. Contact the fixture manufacturer for minimum water supply requirements of the fixture.
- D. Wrong model installed; i.e., 0.5 gpf/1.9 Lpf urinal installed on a 1.6 gpf/6.0 Lpf closet fixture. Replace with proper model.
- E. Check lip seal for wear. Replace Piston if lip seal is worn or twisted.

3. Too Much Water To Fixture.

- A. Excessive flow pressure. Readjust Activation Assembly by turning clockwise to decrease flow pressure.
- B. Long Flush. Worn Piston; replace with new proper gpf/Lpf Piston.
- C. Wrong model installed; i.e., 1.6 gpf/6.0 Lpf model installed on 0.5 gpf/1.9 Lpf or 0.25 gpf/1.0 Lpf urinal fixture. Replace with proper model per guide.

4. Valve Does Not Shut Off.

- A. Plunger screw is not adjusted properly (constant contact on plunger). Adjust screw using depth guide tool.
- B. Supply line water pressure has dropped and is not sufficient to close the Valve. Close Activation Assembly until pressure is restored.
- C. Piston Filter Screen is clogged, Piston is damaged, or large debris stuck behind Piston. Turn off water at Shut Off Sleeve, release pressure, remove Safety Collar and Activation Assembly. Remove Piston and check inside Valve for large debris. **Do not attempt to remove Piston filter screen.** Replace Piston if damaged or cleaning does not correct the problem.

5. Leaking at Plunger.

- A. Seal worn. Replace Activation Assembly.

6. Chirping Noise Is Heard At Start Or End Of Flush.

- A. Caused by air purging from the system inside the Valve Assembly. Noise will subside with several flushes or within a day.

7. Valve Leaks Through Aspirator When Activated.

- A. Debris between the umbrella Valve and the Retainer. Blow air on the Aspirator. If this does not correct the problem, remove Retainer with 5 mm Allen Key (not included) and wash it under clean running water. Replace Aspirator if cleaning does not correct the problem.
- B. Loose Retainer. Hand tighten Retainer with 5 mm Allen key (not included). Do not overtighten. Replace Aspirator if this does not correct the problem.

CARE AND CLEANING

DO NOT USE abrasive or chemical cleaners (including chlorine bleach) to clean Flushometers that may dull the luster and attack the chrome or special decorative finishes. Use **ONLY** mild soap and water, then wipe dry with a clean cloth or towel. If using a cleaner in a spray bottle, **DO NOT** spray directly onto the Flushometer, instead spray cleaner into a clean cloth and then wipe down the Flushometer.

While cleaning bathroom tile, protect the Flushometer from any splattering of cleaner. Acids and abrasive cleaning fluids will discolor or remove chrome plating.

When assistance is required, please contact Sloan Technical Support at 1.888.SLOAN.14 (1.888.756.2614).