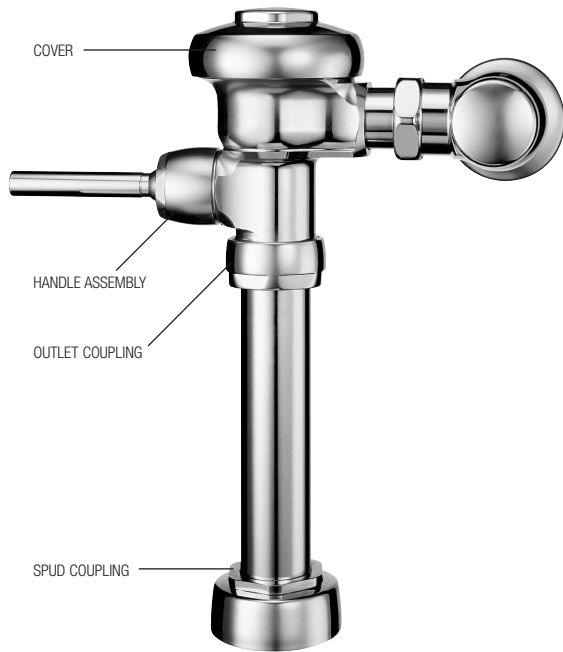


Royal II® Flushometer



The Royal II® flushometer offers everything the Royal® has – and more. **PLEASE REFER TO THE ROYAL® SECTION** for all maintenance issues on the Royal II, with the exceptions noted in the chart below.

Royal II®'s new handle is a one-piece design for smoother lines. Its aesthetic cover accentuates the Royal II®'s new design, and the new vacuum breaker couplings and flange add the finishing touches.

PARTS LIST

Code No.	Part No.	Description
0301298PK	A-206	Royal II® Cover
0302375	B-95-A	Royal II® Handle Assembly
0306145	F-56-A	Royal II® Spud Coupling Assembly 1-1/2" CP
0306128	F-57-A	Royal II® Spud Coupling Assembly 3/4" CP
0306127	F-58-A	Royal II® Spud Coupling Assembly 1-1/4" CP
0323369PK	V-572	Royal II® Coupling CP

**AVAILABLE AS A COMPLETE ASSEMBLY.
REPAIR PARTS REMAIN AVAILABLE
FOR A LIMITED TIME.**

Continental® Flushometer



The Continental® flushometer is part of the Sloan flushometer designer series, and offers proven Royal® performance – and more. **PLEASE REFER TO THE ROYAL® SECTION** for all maintenance issues on the Continental®, with the exceptions noted in the chart below.

Continental®'s sleek styling make it ideal for many applications.

PARTS LIST

Code No.	Part No.	Description
0301077PK	A-4	Continental® Cover
0301221	A-71	Continental® Inside Cover

SLIP JOINT GASKETS AND RINGS

For additional information on Slip Joint Gaskets and Rings see Item 10A table at bottom of page 15.

**AVAILABLE AS A COMPLETE ASSEMBLY.
REPAIR PARTS REMAIN AVAILABLE
FOR A LIMITED TIME.**

* Limited complete assemblies still available.