

**NÚMERO DE CÓDIGO**

3370098

**DESCRIPCIÓN**

1.28 gpf, Graphite Finish, Fixture Connection Top Spud, Single Flush, Electrical Override, Solar, SOLIS® Expuesta Sensor Sanitario Fluxómetro.

**DETALLES**

- Volumen de Descarga: 1.28 gpf (4.8 Lpf)
- Acabado: Graphite (GR)
- Tipo de Energía: Solar
- Válvula: Diafragma
- Material del Cuerpo de la Válvula: Latón Semi-rojo
- Tipo de Mueble de Baño: Sanitario
- Conexión del Accesorio: Spud Superior
- Dimensiones de pared a centro: 11 ½" (292mm)
- Escarda de Emparejamiento: 1 ½" (38mm)
- Pipa de Suministro: 1" (25mm)
- Sobrepaso: Electrical

**CARACTERÍSTICAS**

- Handle Packing, Main Seat, Stop Seat and Vacuum Breaker Molded from PERMEX® Rubber Compound for Chloramine resistance
- User friendly three (3) second Flush Delay
- "Low Battery" Flashing LED
- Sweat solder adapter with cover tube and cast wall flange with set screw
- Solar Powered. The sensor assembly is powered by a solar cell that will harvest power from artificial indoor light, either incandescent or fluorescent light, and use it as the energy source. The solar cell can provide approximately 100% power with 650 Illuminance (lux).
- Four (4) Size AA Battery Back-up Power Source
- Infrared Sensor with Multiple-focused, Lobular Sensing Fields for high and low target detection
- Fixed Metering Bypass and No External Volume Adjustment to Ensure Water Conservation
- Flex Tube Diaphragm designed for improved life and reduced maintenance
- Engineered Metal Cover with replaceable Lens Window
- PERMEX® Synthetic Rubber Diaphragm with Dual-Filtered Fixed Bypass
- ADA Compliant Sloan Solis® Solar Powered Infrared Sensor for automatic "No Hands" operation
- Courtesy Flush® Override Button
- 1" I.P.S. Screwdriver Bak-Chek® Angle Stop with Free Spinning Vandal Resistant Stop Cap

**VIDEOS**

- ▶ PVD Special Finishes


**CUMPLIMIENTOS Y CERTIFICACIONES**


(BABAA Compliant, Certificado cUPC Ecológico, Certificado por cUPC, Cumple con BAA, Cumplen con la Ley ADA, EPD, HPD, Listado por WaterSense, Satisface los Créditos de LEED)

**ESPECIFICACIÓN RECOMENDADA**

Valve Body, Cover, Tailpiece and Control Stop shall be in conformance with ASTM Alloy Classification for Semi- Red Brass. Valve shall be in compliance with the applicable sections of ASSE 1037 and ANSI/ASME 112.19.2. Valve Body, Cover, Tailpiece and Control Stop shall have a PVD Graphite finish.

**BATTERY SPECIFICATIONS**

Usage	4- AA Battery Service* Life			
	24 yrs	18 yrs	9 yrs	7.2 yrs
per month	500	1,000	3,000	4,000
per day	25	50	150	200

\* Service life varies according to actual usage & restroom conditions  
Battery shelf life: Alkaline= ~10 years - Lithium= ~25 years

**PRESIÓN OPERATIVA DE VÁLVULA (FLUIDA)**

15-80 PSI (103-552 kPa). Muebles de baño específicos pueden requerir mayor presión fluida mínima - consulte los requerimientos del fabricante.

**DESCARGAS**

- [Solis 8100 Series Installation Instructions](#)
- [Solis 8100 Series \(Spanish\) Installation Instructions](#)
- [Control Stop Repair and Maintenance Guide](#)
- [Flush Connections Flanges Repair and Maintenance Guide](#)
- [Tail Piece Repair and Maintenance Guide](#)
- [Exposed Solis Repair and Maintenance Guide](#)
- [Flushometer Pressure gauges](#)

**Sloan 10500 Seymour Ave, Franklin Park, IL 60131**

Teléfono: 800.982.5839 • Fax: 800.447.8329 • [sloan.com](http://sloan.com)

- [Descargas Adicionales](#)

**NOTAS**

Toda la información contenida dentro de este documento está sujeta a cambio sin previo aviso.

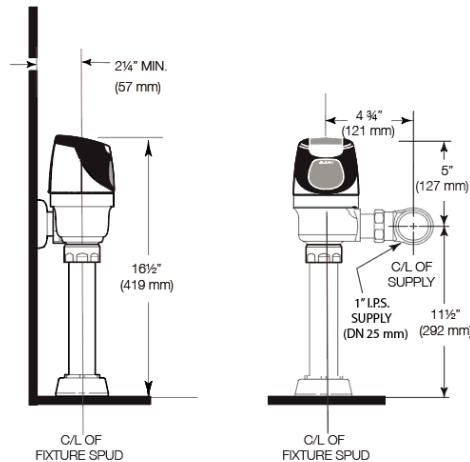
Buscar otras variaciones del SOLIS 8111 producto? [Ver la hoja de especificaciones generales con todas las opciones.](#)

WaterSense compliant when used with a WaterSense compliant fixture

**GARANTÍA**

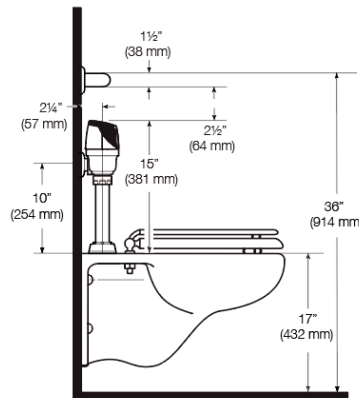
[View Warranty Information](#)

**PREPARACIÓN**



**ALTERNATE ADA INSTALLATION**

Lower water supply rough-in to 10" (254 mm) and mount grab bar at the 36" (914 mm) maximum allowed height (top of grab bar at 36").



**WHEN INSTALLING IN A HANDICAP STALL:**

Per the ADA Guidelines (section 604.9.4) it is recommended that the grab bars be split or shifted to the wide side of the stall. If grab bars must be present over the valve, use the alternate ADA installation as shown to the right.

**Sloan 10500 Seymour Ave, Franklin Park, IL 60131**

Teléfono: 800.982.5839 • Fax: 800.447.8329 • [sloan.com](http://sloan.com)