

**NÚMERO DE CÓDIGO**

20011201

**DESCRIPCIÓN**

ST-2009 Sanitario y SOLIS 8111 Fluxómetro.

**COMPONENTES**

- Fluxómetro: Code 3370085
- Sanitario: Code 2102009

**DETALLES**

- Volumen de Descarga: 1.1 gpf (4.2 Lpf)
- Dimensiones Nominales: 26 ¾" x 14" x 15" (679 x 356 x 381mm)

**CARACTERÍSTICAS DE FLUXÓMETRO**

- Handle Packing, Main Seat, Stop Seat and Vacuum Breaker Molded from PERMEX® Rubber Compound for Chloramine resistance
- User friendly three (3) second Flush Delay
- "Low Battery" Flashing LED
- Sweat solder adapter with cover tube and cast wall flange with set screw
- State-of-the-art photovoltaic technology delivers solar operation
- Solar Powered. The sensor assembly is powered by a solar cell that will harvest power from the artificial indoor light (incandescent, fluorescent or LED), and use it as the energy source. The solar cell can provide approximately 100% power with 650 illuminance (lux).
- Four (4) Size AA Battery Back-up Power Source
- Operates by means of an infrared sensor with multiple-focused, lobular sensing fields for high and low target detection
- Fixed Metering Bypass and No External Volume Adjustment to Ensure Water Conservation
- Flex Tube Diaphragm designed for improved life and reduced maintenance
- Engineered Metal Cover with replaceable Lens Window
- PERMEX® Synthetic Rubber Diaphragm with Dual-Filtered Fixed Bypass
- Courtesy Flush® Override Button
- Override button enables manual flushing if sensor's power source fails
- High copper, low zinc brass castings for dezincification resistance
- Valve body, Cover, Tailpiece and Control Stop shall be in compliance with ASTM Alloy Classification for Semi-Red Brass
- Valve shall be in compliance to the applicable sections of ASSE 1037
- WaterSense compliant when used with a 1.1 gpf WaterSense compliant fixture
- 1.1 gpf (4.2 Lpf) flushometers are only recommended for new construction installations or those where sufficient drain line carry can be assured.

**CARACTERÍSTICAS DE MUEBLE DE BAÑO**

- Porcelana Blanca
- Tasa alargada
- Montado al piso, salida al piso
- La descarga con acción de sifón logra puntuaciones de 1000g Map


**CUMPLIMIENTOS Y CERTIFICACIONES**


(BREEAM Materials Credit, BREEAM Water Credit, Carbon Neutral, Cumple con BAA, EPD, Green Globes Materials & Resources Credit, Green Globes Water Credit, HPD, LEED Materials & Resources EPD Credit, LEED Materials & Resources HPD Credit, LEED V4 Water Efficiency Credit, Listado por WaterSense, Satisface los Créditos de LEED, WELL Building Standard)

**DESCARGAS**

- [Royal Exposed Installation Instructions](#)
- [Royal Exposed Spanish Installation Instructions](#)
- [Sloan Diaphragm Chart \(SP\) Repair and Maintenance Guide](#)
- [SS/ST/SU/WETS/WEUS Fixtures Repair and Maintenance Guide](#)
- [Descargas Adicionales](#)

**NOTAS**

Toda la información contenida dentro de este documento está sujeta a cambio sin previo aviso.

Static load tested according to the procedure outlined in Section 6.7 of ASME A112.19.2. Not recommended for bariatric use.

**GARANTÍA**

[View Warranty Information](#)

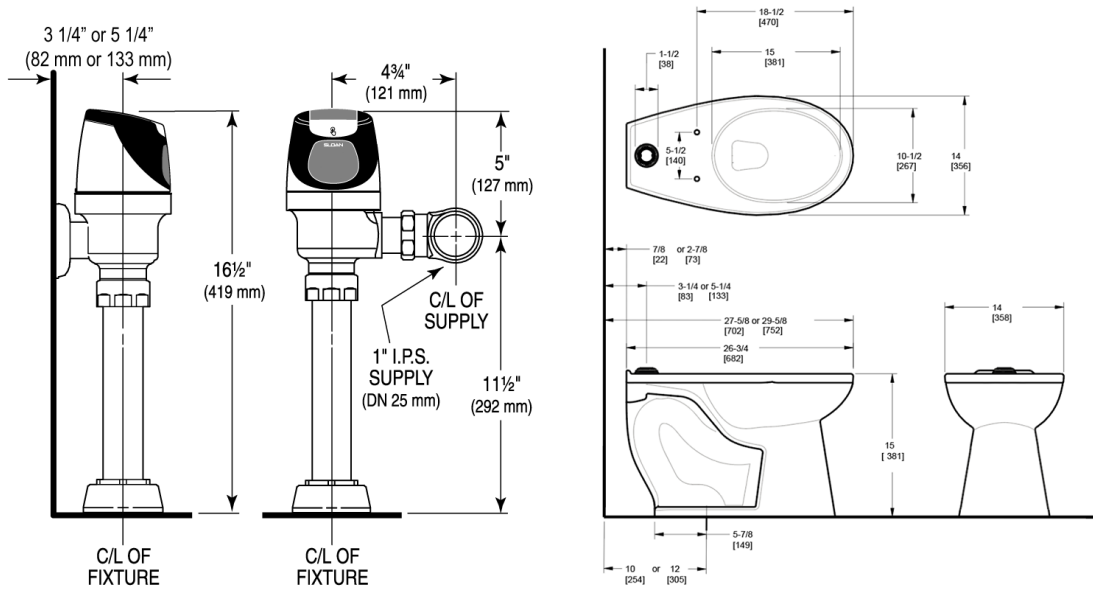
**Sloan 10500 Seymour Ave, Franklin Park, IL 60131**

Teléfono: 800.982.5839 • Fax: 800.447.8329 • [sloan.com](http://sloan.com)

cuando se usa con cualquier Fluxómetro Sloan

- Área de huella de agua: 26 cm x 24 cm (10<sup>3</sup>/<sub>8</sub>" x 9<sup>3</sup>/<sub>8</sub>")
- Entrada de Acoplamiento Superior de 1<sup>1</sup>/<sub>2</sub>" I.P.S.
- Vía de trampa de 2<sup>3</sup>/<sub>8</sub>" totalmente esmaltada
- Pernos y tapas de sanitario incluidos
- Asiento de inodoro no incluido

**PREPARACIÓN**



**Sloan 10500 Seymour Ave, Franklin Park, IL 60131**

Teléfono: 800.982.5839 • Fax: 800.447.8329 • [sloan.com](http://sloan.com)