

**NÚMERO DE CÓDIGO**

20011101

**DESCRIPCIÓN**

ST-2009 Sanitario y ECOS 8111 Fluxómetro.

**COMPONENTES**

- Fluxómetro: Code 3370460
- Sanitario: Code 2102009

**DETALLES**

- Volumen de Descarga: 1.1 gpf (4.2 Lpf)
- Dimensiones Nominales: 26 ¾" x 14" x 15" (679 x 356 x 381mm)

**CARACTERÍSTICAS DE FLUXÓMETRO**

- Sweat Solder Adapter with Cover Tube and Cast Set Screw Wall Flange
- Main Seat, Stop Seat and Vacuum Breaker Molded from PERMEX® Rubber Compound for Chloramine resistance
- User friendly three (3) second Flush Delay
- "Low Battery" Flashing LED
- Infrared Sensor with Multiple-focused, Lobular Sensing Fields for high and low target detection
- Fixed Metering Bypass and No External Volume Adjustment to Ensure Water Conservation
- Flex Tube Diaphragm designed for improved life and reduced maintenance
- Engineered Metal Cover with replaceable Lens Window
- Courtesy Flush® Override Button
- Four (4) Size AA batteries included
- 1" I.P.S. Screwdriver Bak-Chek® Angle Stop with Free Spinning Vandal Resistant Stop Cap
- PERMEX® Synthetic Rubber Diaphragm with Dual Filtered Fixed Bypass
- 1.1 gpf (4.2 Lpf) flushometers are only recommended for new construction installations or those where sufficient drain line carry can be assured

**CARACTERÍSTICAS DE MUEBLE DE BAÑO**

- Porcelana Blanca
- Tasa alargada
- Montado al piso, salida al piso
- La descarga con acción de sifón logra puntuaciones de 1000g Map cuando se usa con cualquier Fluxómetro Sloan
- Área de huella de agua: 26 cm x 24 cm (10 ½" x 9 ¾")
- Entrada de Acoplamiento Superior de 1 ½" I.P.S.
- Vía de trampa de 2 ½" totalmente esmaltada
- Pernos y tapas de sanitario incluidos
- Asiento de inodoro no incluido


**CUMPLIMIENTOS Y CERTIFICACIONES**


(BREEAM Materials Credit, BREEAM Water Credit, Carbon Neutral, Cumple con BAA, EPD, Green Globes Materials & Resources Credit, Green Globes Water Credit, HPD, LEED Materials & Resources EPD Credit, LEED Materials & Resources HPD Credit, LEED V4 Water Efficiency Credit, Listado por WaterSense, Satisface los Créditos de LEED, WELL Building Standard)

**DESCARGAS**

- [ECOS Hardwire Installation Instructions](#)
- [HET Top Spud Installation Instructions](#)
- [SS/ST/SU/WETS/WEUS Fixtures Repair and Maintenance Guide](#)
- [ECOS Repair and Maintenance Guide](#)
- [Descargas Adicionales](#)

**NOTAS**

Toda la información contenida dentro de este documento está sujeta a cambio sin previo aviso.

Static load tested according to the procedure outlined in Section 6.7 of ASME A112.19.2. Not recommended for bariatric use.

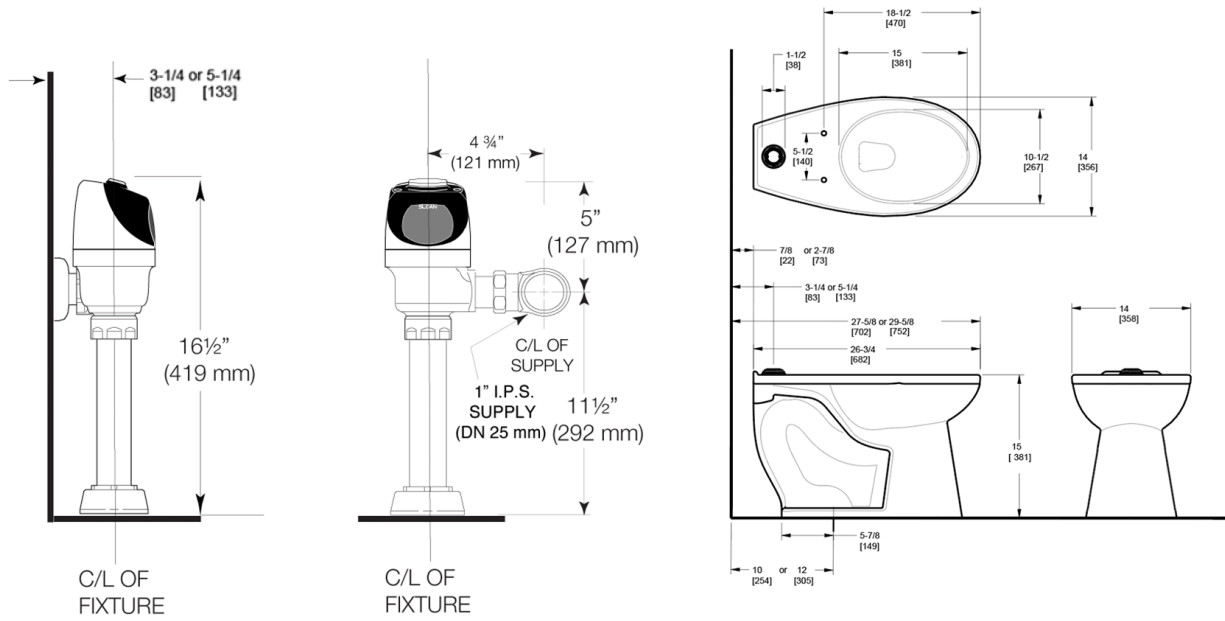
**GARANTÍA**

[View Warranty Information](#)

**Sloan 10500 Seymour Ave, Franklin Park, IL 60131**

Teléfono: 800.982.5839 • Fax: 800.447.8329 • [sloan.com](http://sloan.com)

**PREPARACIÓN**



Sloan 10500 Seymour Ave, Franklin Park, IL 60131  
Teléfono: 800.982.5839 • Fax: 800.447.8329 • [sloan.com](http://sloan.com)