

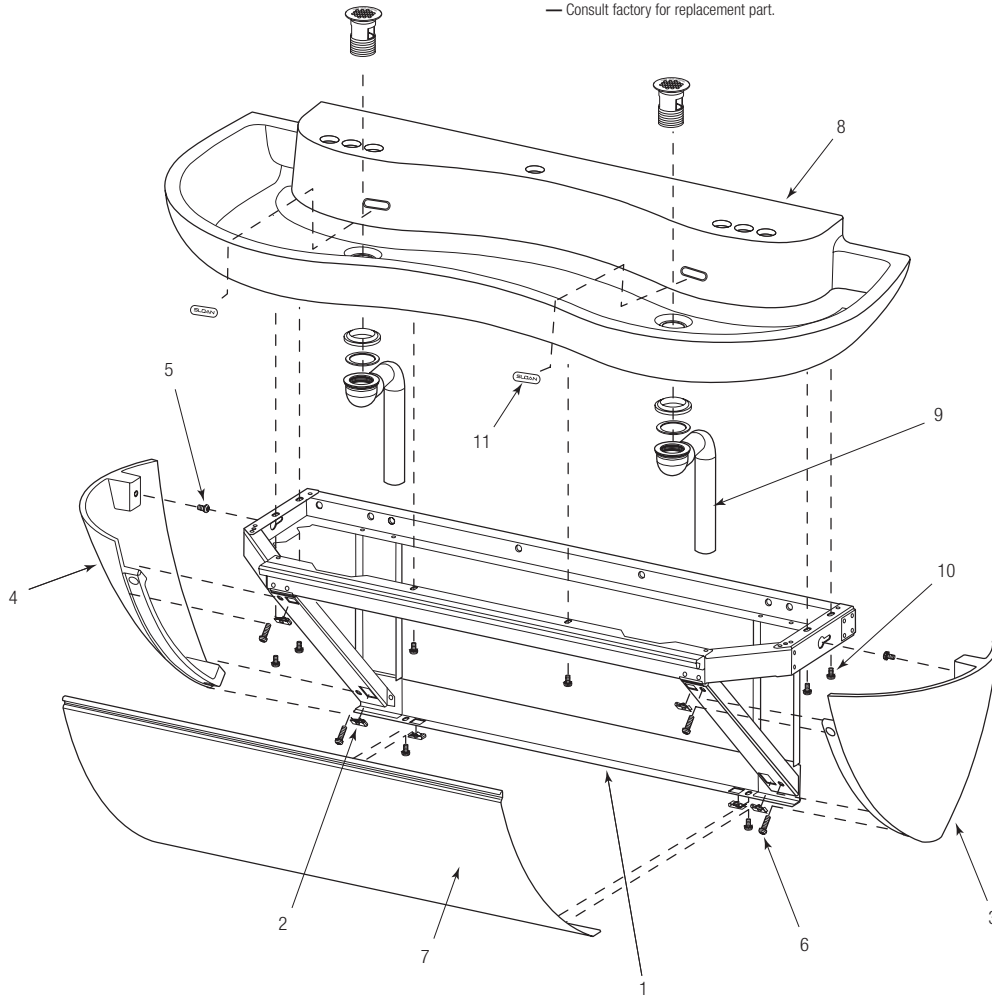
SloanStone® ELS-72000 Sink



DOUBLE STATION SENSOR ACTIVATED SOLID SURFACE LAVATORY SYSTEM PARTS

Item No.	Code No.	Part No.	Description
1.	—	EW-20-A	Cabinet Weldment, 2 Station
2.	0387099	EW-99	U-Type Nut Standard 1/4-20 Thread (6)
3.	—	EW-60	End Cap Right – Machined
4.	—	EW-52	End Cap Left – Machined
5.	—	EW-15	Screw, Pan Head 1/4-20 x 1/2" Long (SEMS)
6.	—	EW-16	Screw, Pan Head 1/4-20 x 1" Long (SEMS) (4)
7.	0387006	EW-25	Front Panel, 2 Station
8.	SEE TABLE BELOW		Double Station Lavatory Basin Assembly
9.	—	ETF-725-A	Grid Strainer Assembly (2)
10.	—	EW-15	Screw, Pan Head 1/4-20 x 1/2" Long (SEMS)
11.	—	EW-61	Overflow Cover Plate (2)
	—	EW-98	Light Duty Buffing Pad (not shown)
	0387099	EW-99	U-Type Nut Std. 1/4"-20 Thread

— Consult factory for replacement part.



ITEM NO. 8 – DOUBLE STATION LAVATORY BASIN HOLE PATTERNS

Hole Pattern	—	A	B	C	D
Part Number	ELS-12-A-XX	ELS-12-A-XX-A	ELS-12-A-XX-B	ELS-12-A-XX-C	ELS-12-A-XX-D
Basin Hole Pattern					

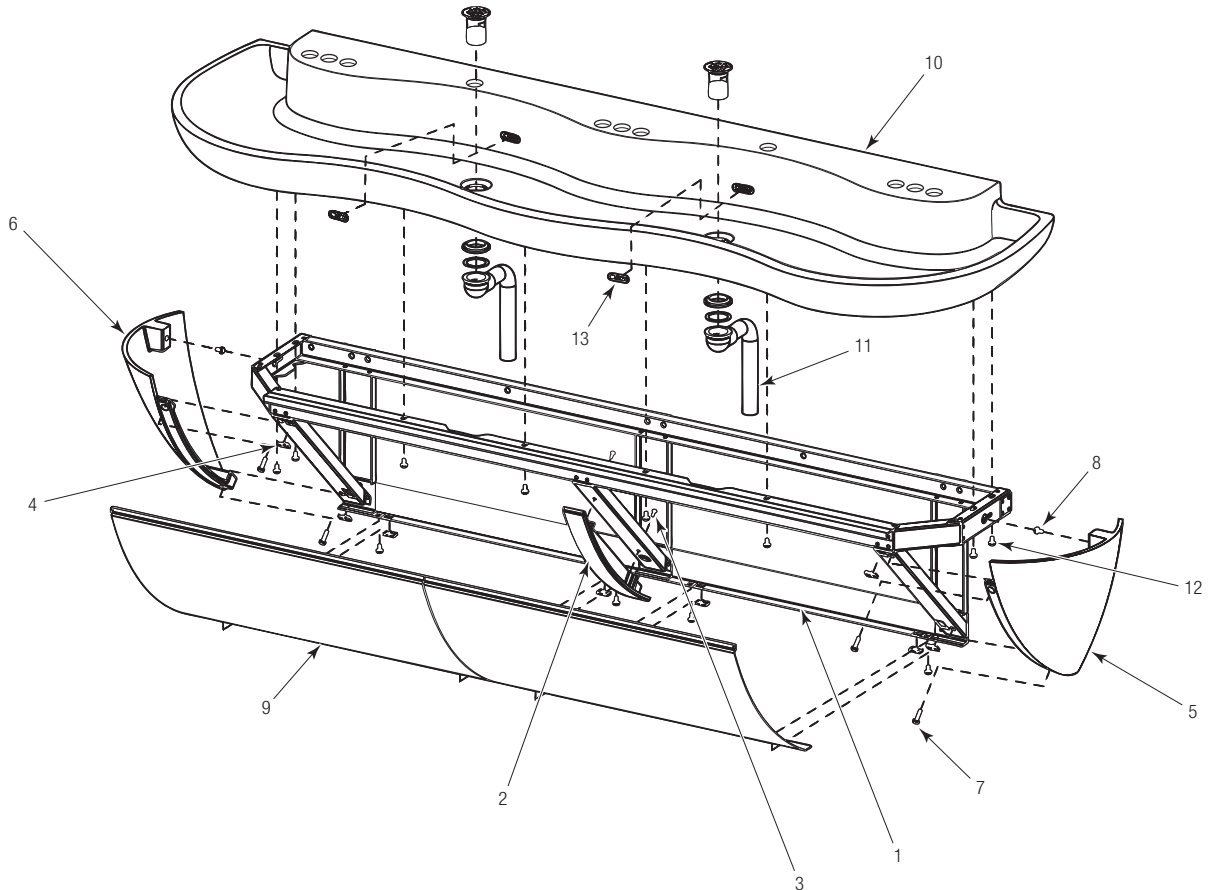
SloanStone® ELS-73000 Sink



TRIPLE STATION SENSOR ACTIVATED SOLID SURFACE LAVATORY SYSTEM PARTS

Item No.	Code No.	Part No.	Description
1.	—	EW-30-A	Cabinet Weldment, 3 Station
2.	—	EW-50	Front Panel Support – Machined
3.	—	EW-36	Screw, Pan Head #8-32 x 7/16" Long (SEMS) (2)
4.	0387099	EW-99	U-Type Nut Standard 1/4-20 Thread (6)
5.	—	EW-60	End Cap Right – Machined
6.	—	EW-52	End Cap Left – Machined
7.	—	EW-16	Screw, Pan Head 1/4-20 x 1" Long (SEMS) (4)
8.	—	EW-15	Screw, Pan Head 1/4-20 x 1/2" Long (SEMS) (2)
9.	0387035	EW-35	Front Panel, 3 Station (2)
10.	SEE TABLE BELOW		Triple Station Lavatory Basin Assembly
11.	—	ETF-725-A	Grid Strainer Assembly (2)
12.	—	EW-15	Screw, Pan Head 1/4-20 x 1/2" Long (SEMS) (8)
13.	—	EW-61	Overflow Cover Plate (2)
	—	EW-98	Light Duty Buffing Pad (not shown)
	—	EW-108	Heavy Duty Buffing Pad (not shown)

— Consult factory for replacement part.



ITEM NO. 10 – TRIPLE STATION LAVATORY BASIN HOLE PATTERNS

Hole Pattern	—	A	B	C	D
Part Number	ELS-13-A-XX	ELS-13-A-XX-A	ELS-13-A-XX-B	ELS-13-A-XX-C	ELS-13-A-XX-D
Basin Hole Pattern					