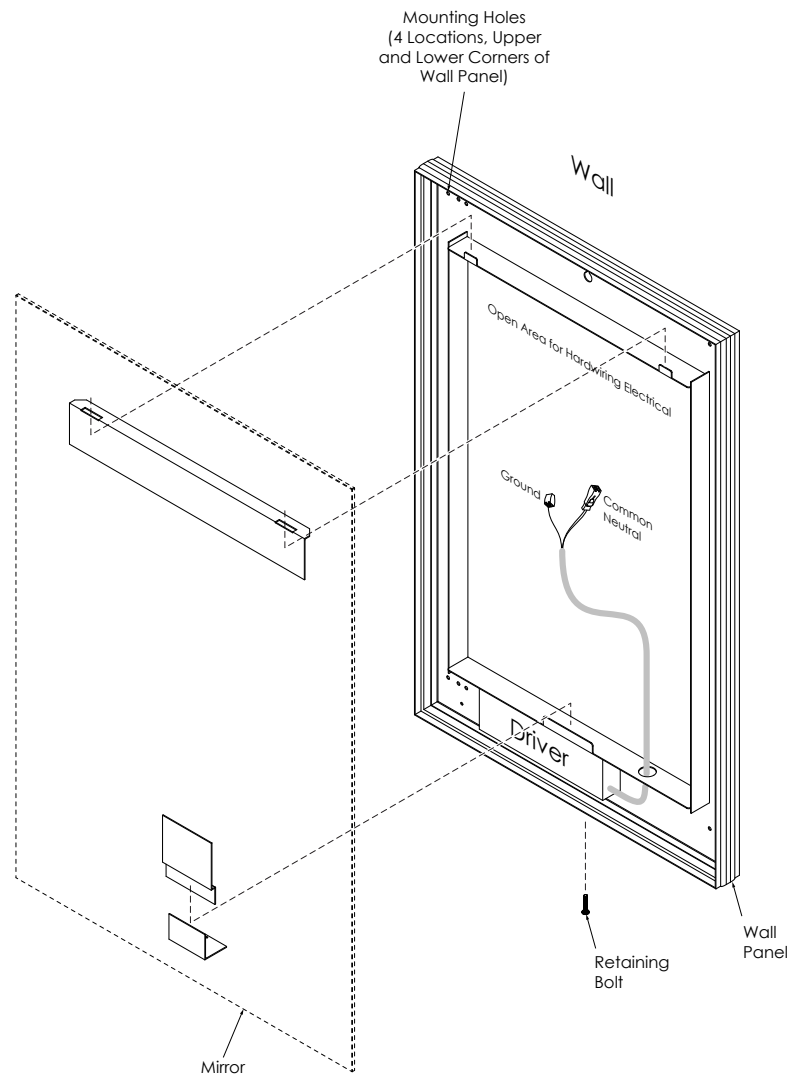


**PRIOR TO INSTALLATION**

**CAUTION**

- USE CAUTION WHEN HANDLING THE MIRROR TO AVOID PERSONAL HARM OR DAMAGE TO MIRROR. IF GLASS IS BROKEN, STOP AND REPLACE FROM THE SUPPLIER.
- ADEQUATE STRUCTURAL SUPPORT IN OR BEHIND THE WALL IS REQUIRED.
- APPROPRIATE FASTENERS (PROVIDED WITH MIRROR) MUST BE USED TO SECURE MIRROR TO WALL.
- USE CAUTION WHEN DRILLING HOLES TO AVOID DAMAGE TO EXISTING ELECTRICAL OR PLUMBING.
- DO NOT INSTALL LED MIRROR IN A LOCATION WHERE IT MAY RECEIVE DIRECT WATER SPRAY.
- ALL ELECTRICAL WIRING IS TO BE INSTALLED IN ACCORDANCE WITH NATIONAL/LOCAL CODES AND REGULATIONS. ELECTRICAL OUTLETS SHOULD BE RECESSED AND INSTALLED PRIOR TO INSTALLATION.
- MAKE SURE THAT THE ELECTRIC CIRCUIT TO THE LED MIRROR IS PROTECTED WITH A GROUND-FAULT CIRCUIT INTERRUPTER (GFCI).
- A QUALIFIED ELECTRICIAN IS RECOMMENDED.



**Installation Instructions**

1. Remove the mirror from the wall panel.
  - a. Remove the retaining bolt located at the bottom of the mirror.
  - b. Gently slide the mirror off the cleats.
2. Install Mirror Wall Panel using the pre-drilled mounting holes.
  - a. Position and level the mirror wall panel on the wall.
  - b. Use mounting fasteners (provided), secure the mirror wall panel to the wall.
3. Electrical Connections.
  - a. Make sure 110V electrical supply to mirror location is OFF
  - b. Secure the common (hot or load), neutral, and ground wires into push-wire connectors provided with the mirror.
  - c. Turn on power to mirror to confirm proper power connections.
4. Install Mirror onto Mirror Wall Panel.
  - a. Position upper and lower cleats onto wall panel. Both cleats must be secure.
  - b. Screw in the bottom retaining bolt to lock the mirror into place

**Care and Cleaning**

Using a Damp, lint free, cloth gently clean surface area. DO NOT use chlorine base, chemical glass cleaners or abrasive material on mirror. Use of inappropriate cleaners will void all warranties and guarantees. Do not spray cleaners onto mirror, use a lint free cloth.

**Sloan® Limited Warranty Summary**

Sloan Valve Company ("Sloan"), warrants its products against defects in materials and workmanship, excluding damage caused by matters beyond Sloan's reasonable control. Instructions for filing claims can be found in the Limited Warranty which can be obtained at [www.sloan.com](http://www.sloan.com) or by requesting a free copy by telephone at 888.756.2614. Sloan will repair or replace your defective product, or provide a refund, as your exclusive remedy. This is only a general summary of Sloan's Limited Warranty so it is important to note that the specific terms, conditions, limitations and exclusions, including the duration of warranty coverage for your particular Sloan product, are contained in the actual Sloan Limited Warranty. The Limited Warranty is subject to applicable laws in your country, state, province or other jurisdiction—and disputes arising under the Limited Warranty are to be resolved by binding arbitration unless you provide Sloan with an opt-out notice no later than 30 days after your purchase date. In case of a conflict with this summary, the terms and conditions set forth in the complete Limited Warranty will prevail.