

NÚMERO DE CÓDIGO

24511201

DESCRIPCIÓN

ST-2459 Sanitario y SOLIS 8111 Fluxómetro.

COMPONENTES

- Fluxómetro: Code 3370085
- Sanitario: Code 2102459

DETALLES

- Volumen de Descarga: 1.1 gpf (4.2 Lpf)
- Dimensiones Nominales: 26 ¾" x 15" x 13 ¼" (679 x 381 x 337mm)

CARACTERÍSTICAS DE FLUXÓMETRO

- Handle Packing, Main Seat, Stop Seat and Vacuum Breaker Molded from PERMEX® Rubber Compound for Chloramine resistance
- User friendly three (3) second Flush Delay
- "Low Battery" Flashing LED
- Sweat solder adapter with cover tube and cast wall flange with set screw
- State-of-the-art photovoltaic technology delivers solar operation
- Solar Powered. The sensor assembly is powered by a solar cell that will harvest power from the artificial indoor light (incandescent, fluorescent or LED), and use it as the energy source. The solar cell can provide approximately 100% power with 650 illuminance (lux).
- Four (4) Size AA Battery Back-up Power Source
- Operates by means of an infrared sensor with multiple-focused, lobular sensing fields for high and low target detection
- Fixed Metering Bypass and No External Volume Adjustment to Ensure Water Conservation
- Flex Tube Diaphragm designed for improved life and reduced maintenance
- Engineered Metal Cover with replaceable Lens Window
- PERMEX® Synthetic Rubber Diaphragm with Dual-Filtered Fixed Bypass
- Courtesy Flush® Override Button
- Override button enables manual flushing if sensor's power source fails
- High copper, low zinc brass castings for dezincification resistance
- Valve body, Cover, Tailpiece and Control Stop shall be in compliance with ASTM Alloy Classification for Semi-Red Brass
- Valve shall be in compliance to the applicable sections of ASSE 1037
- WaterSense compliant when used with a 1.1 gpf WaterSense compliant fixture
- 1.1 gpf (4.2 Lpf) flushometers are only recommended for new construction installations or those where sufficient drain line carry can be assured.

CARACTERÍSTICAS DE MUEBLE DE BAÑO

- Porcelana Blanca
- Tasa alargada
- Montado en muro, salida al muro


CUMPLIMIENTOS Y CERTIFICACIONES


(Cumple con BAA, BREEAM Materials Credit, BREEAM Water Credit, Carbon Neutral, EPD, Green Globes Materials & Resources Credit, Green Globes Water Credit, HPD, LEED Materials & Resources EPD Credit, LEED Materials & Resources HPD Credit, LEED V4 Water Efficiency Credit, Listado por WaterSense, Satisface los Créditos de LEED, WELL Building Standard)

DESCARGAS

- [SS/ST/SU/WETS/WEUS Fixtures Repair and Maintenance Guide](#)
- [Descargas Adicionales](#)

NOTAS

Toda la información contenida dentro de este documento está sujeta a cambio sin previo aviso.

Static load tested according to the procedure outlined in Section 6.7 of ASME A112.19.2. Not recommended for bariatric use.

GARANTÍA

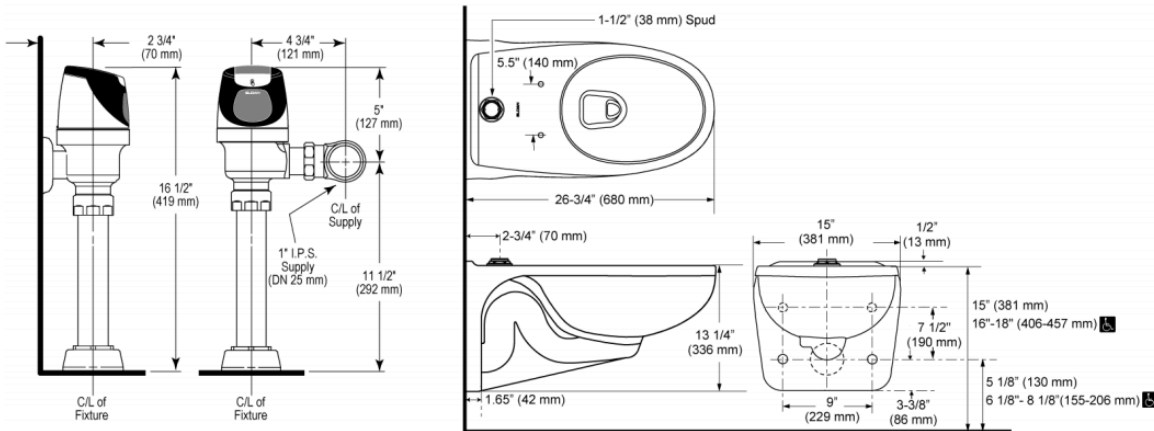
[View Warranty Information](#)

Sloan 10500 Seymour Ave, Franklin Park, IL 60131

Teléfono: 800.982.5839 • Fax: 800.447.8329 • sloan.com

- La descarga con acción de sifón logra puntuaciones de 1000g Map cuando se usa con cualquier Fluxómetro Sloan
- Capacidad de carga estática de 750 lb (ver Notas)
- Área de huella de agua: 26 cm x 24 cm (10³/₈" x 9³/₈")
- Entrada de Acoplamiento Superior de 1¹/₂" I.P.S.
- Vía de trampa de 2¹/₈" totalmente esmaltada
- Pernos y tapas de sanitario incluidos
- Asiento de inodoro no incluido

PREPARACIÓN



ALTERNATE ADA INSTALLATION
Lower water supply rough-in to 10" (254 mm) and mount grab bar at the 36" (914 mm) maximum allowed height (top of grab bar at 36").

